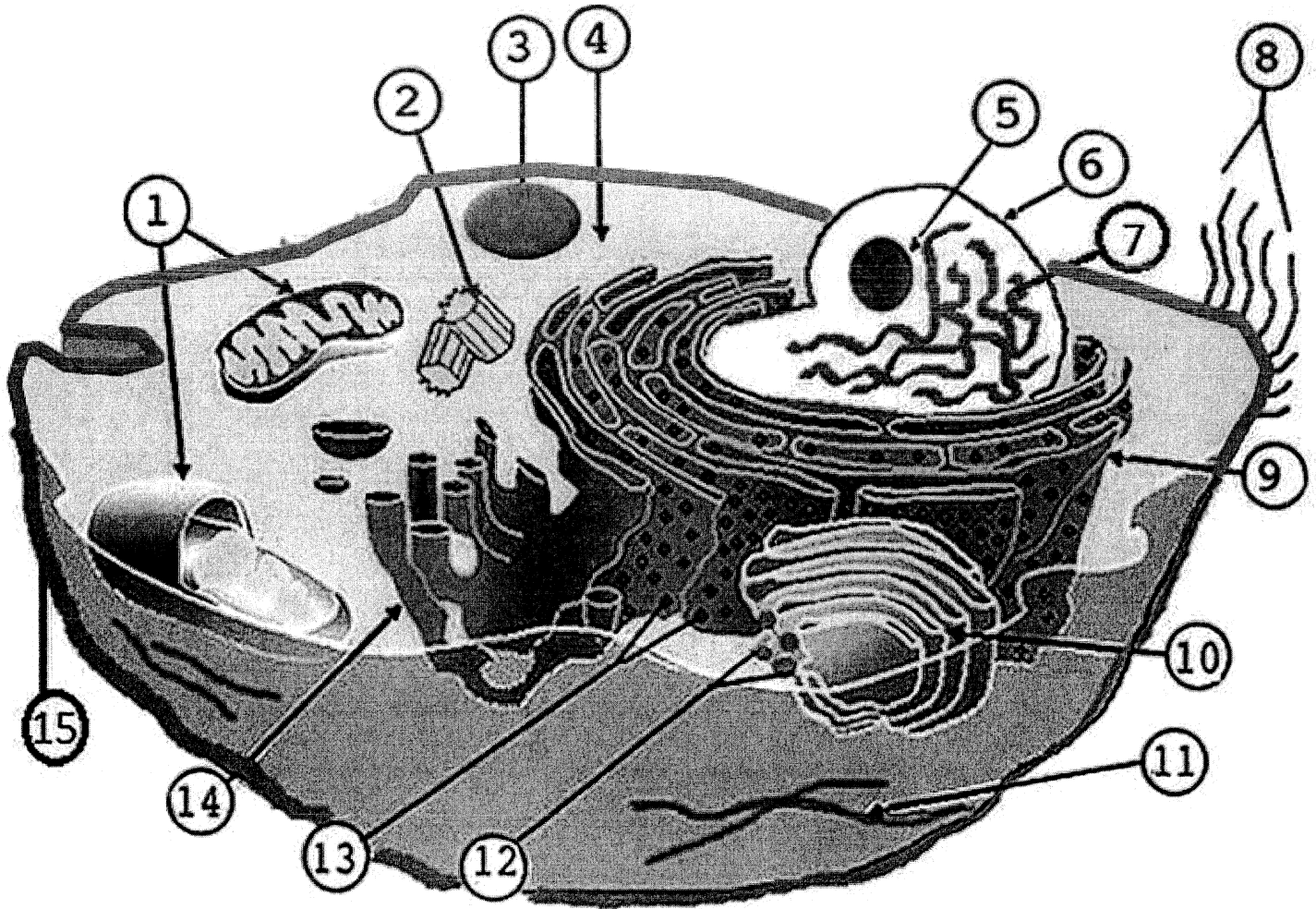


Name: _____

Cell Structures and Processes



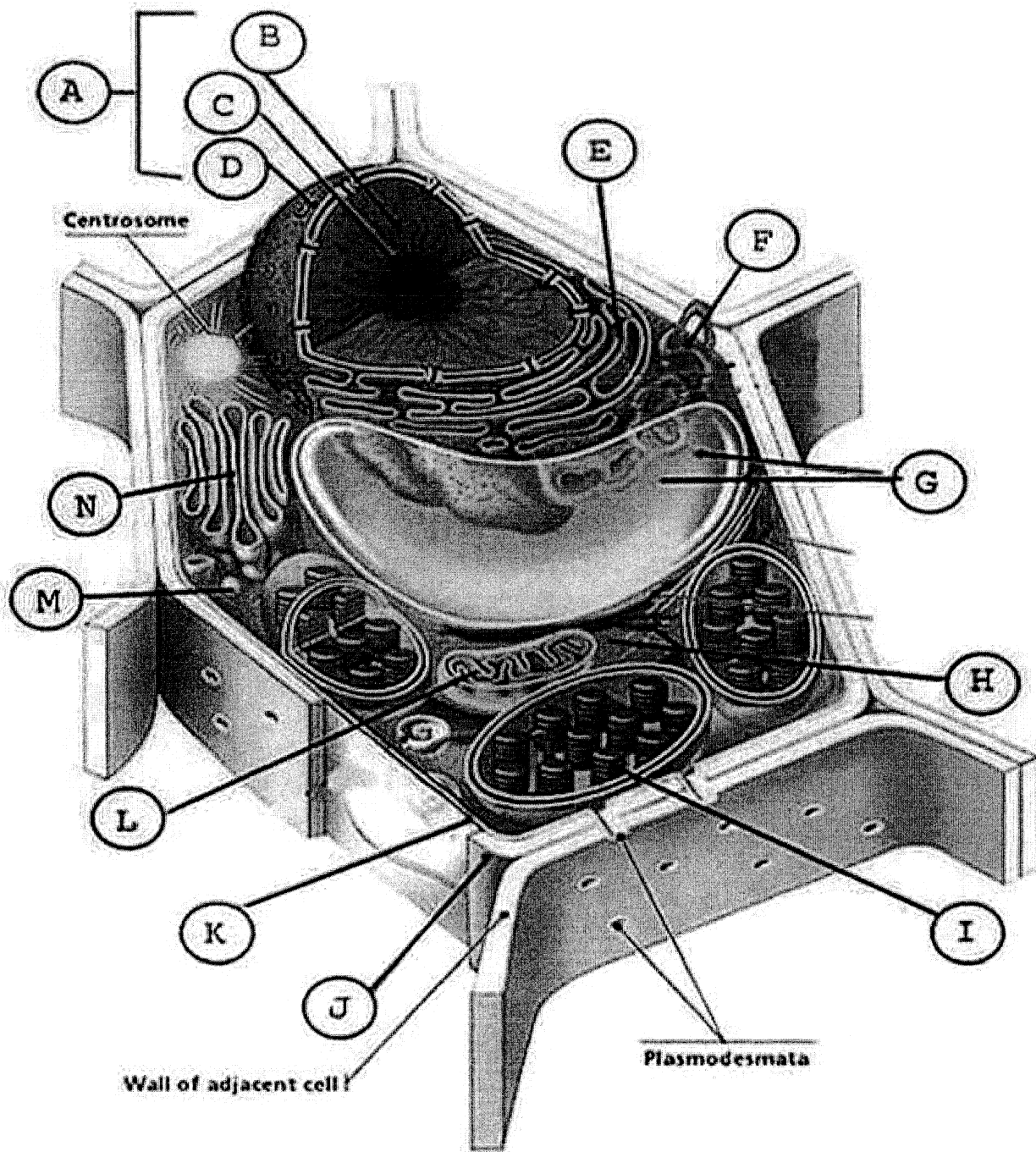
1. _____
2. _____
3. _____
4. _____
5. _____
6. _____
7. _____
8. _____

9. _____
10. _____
11. _____
12. _____
13. _____
14. _____
15. _____

16. Which organelle contains its own DNA?

17. What is the relationship between the ER and the golgi apparatus?

18. What is the difference between smooth and rough ER?



- A. _____
- B. _____
- C. _____
- D. _____
- E. _____
- F. _____
- G. _____

- H. _____
- I. _____
- J. _____
- K. _____
- L. _____
- M. _____
- N. _____

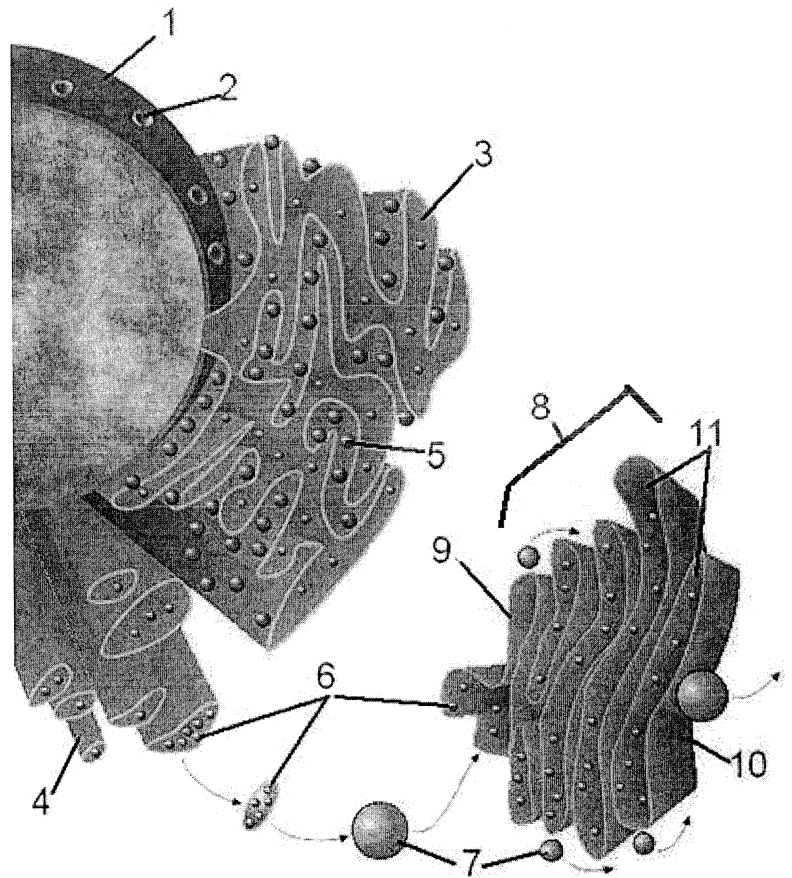
What are structures found in plants, but not animal cells:

How Proteins are Packaged for Transport

Word Bank

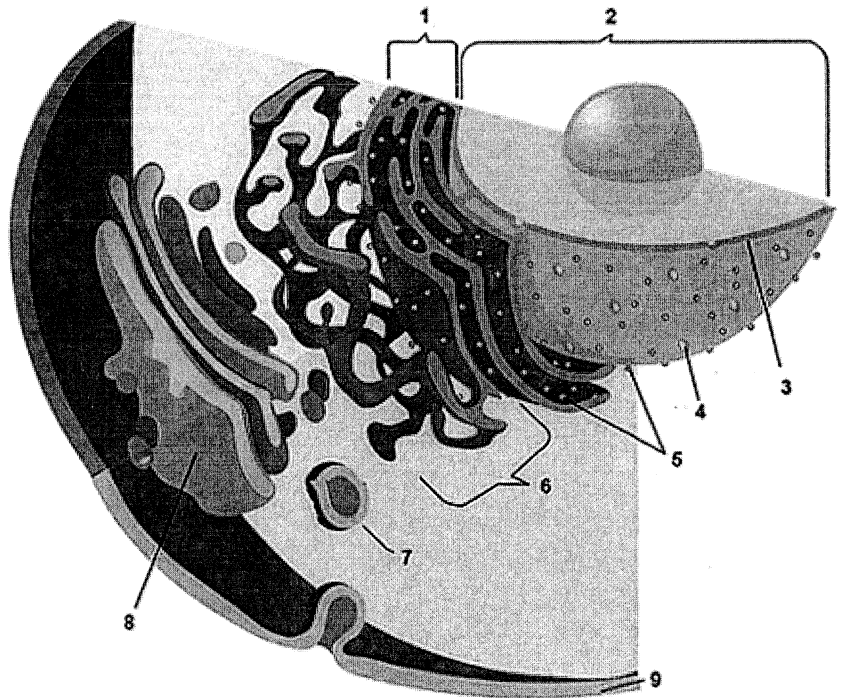
Rough ER / Smooth ER / Nucleus
 Golgi Apparatus / Ribosome
 Cis face of Golgi Apparatus
 Trans face of Golgi Apparatus
 Proteins / Transport Vesicle
 Cisternae / Nuclear Pore

1. _____
2. _____
3. _____
4. _____
5. _____
6. _____
7. _____
8. _____
9. _____
10. _____
11. _____



Endomembrane System

1. _____
2. _____
3. _____
4. _____
5. _____
6. _____
7. _____
8. _____



Describe the process by which proteins are made and then exported from the cell.

